



New ideas for Security



Product Catalog

Designed  
and  
Made  
in  
Europe



## New ideas for Security

DMTech Ltd. is a manufacturing and engineering company established in 2011.

DMTech Ltd. is a spin off, of a leading Bulgarian company in the Fire Alarm industry. We are manufacturer of full set conventional and addressable fire alarm equipment.

The company can proudly say the present scope of delivery of fire alarm detectors and manual control points are designed with the latest technology. All conventional and addressable fire Alarm Control panels including access to the fire control panel by W-lan are created with know how.

Our hard and software engineers continuously upgrade and add new features, functions and new equipment to our production. We added remote access through W-Lan to our conventional and addressable fire control panels which gives the end user opportunity to check, monitor and modify the program online and react in case of emergency.

All products of DMTech Ltd. are CERTIFIED to the European standart certificates. We are confident of the reliability of our equipment therefore we grant our customers GUARANTY PERIOD of 3 years.

With our Team of R&D Department engineers, mechanics, electricicians and programmers we are able to design customized solution in house. Our company is constantly striving to cater for the requirements in different countries and to OEMs.

We assure our customers all our equipment is designed by our R&D Department and manufactured solely on the territory of the European Union.

The products with the trade mark of DMTech Ltd. are well accepted and acknowledged in a number of countries like Turkey, Romania, Macedonia, Serbia, Albania, Kosovo, Italy, Portugal, Spain, Belgium, Latvia, Moldova, Georgia, Iran, Iraq, Syria, Bangladesh, Vietnam, Tunisia, Morocco, Algeria, Egypt, Libya, Pakistan, Greece, Malta, Cyprus, Mongolia, Kazakhstan, Georgia, Armenia, Azerbaijan, Mali, Saudi Arabia, UAE.





RUSSIA

CHINA

INDONESIA



# ADDRESSABLE FIRE ALARM SYSTEMS

## FP 9000A-6 ADDRESSABLE Fire Control Panel

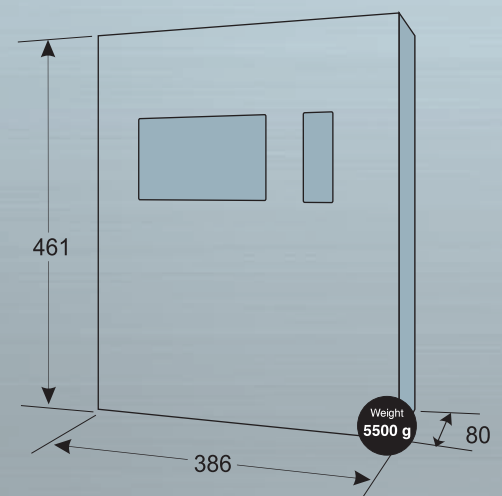
FP9000A-6 is a modular addressable fire control panel with 2 built-in loops and the ability to add 4 more loop modules. Supports up to 6 loops and 1500 addressable devices. Ability to build a network of 8 addressable panels with visualization from each panel. USB Interface for connection to a computer for programming and quick setup of the control panel. Ability to monitor and manage all events at the panel with LAN interface from a smart phone or computer, remotely, from anywhere in the world, via Internet connectivity.



FP9000A-4

### Functional characteristics:

Up to 6 loops	DMTech protocol
2 loops - up to 6 loops (1+1+1+1)	DMTech protocol
Loop devices	up to 250 devices
Maximum number of addressable devices	1500
Load capacity of the loop	up to 500 mA
Zones	128
Relay outputs	4
Outputs (monitored, programmable, relay)	2
Consumer power supply	(18-26) V / 4.5A
Memory	10 000 events
Display with touch screen	color TFT 7"
Language versions	Multilingual
Programming	DMTech software
Interface for connecting panels to a network	RS 485
Consumer power supply	(18-26) V / 2.0 A
2 batteries	12V / (18) Ah
Metal box	461x386x80
Color	white / anthracite



# ADDRESSABLE FIRE ALARM SYSTEMS

## FP 9000A-1 ADDRESSABLE Fire Control Panel

FP 9000A is analog addressable fire control panel with 1 loop up to 250 addressable devices and one conventional line up to 32 detectors. The panel is produced in a plastic or metal box with a compact surface mount. The panel is easy to install, maintain and operate on a daily basis.

Plastic box

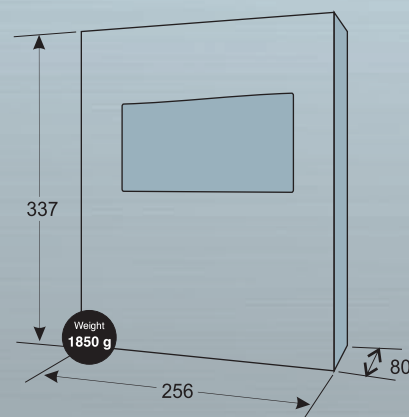
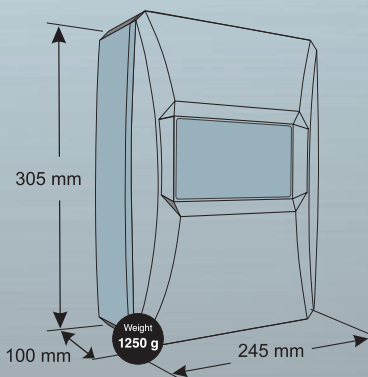


Metal box



### Functional characteristics:

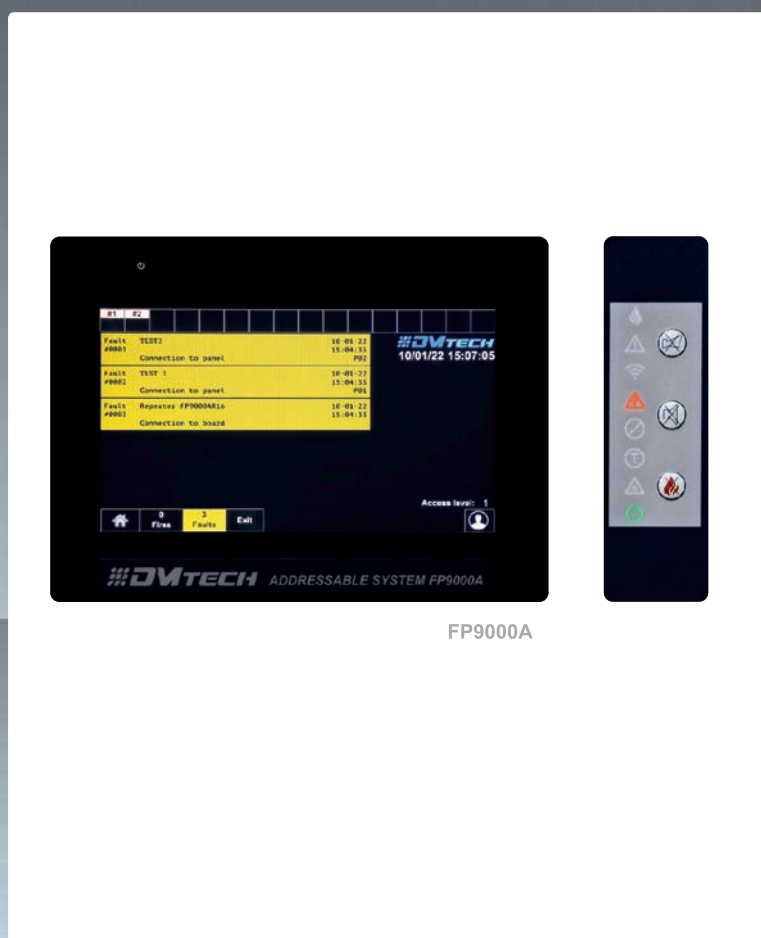
1 loop	DMTech protocol
Devices on the loop	up to 250 devices
Load capacity	up to 500 mA
Zones	8
Relay outputs	4
Outputs (controllable, programmable, relay)	2
Consumer Power Supply	(18-26) V / 1,5 A
Event memory	1023 events
Display	LCD 4*20 symbols
Language versions	Multilingual
Programming	DMTech software
Output for Interface	RS 485
One conventional line	up to 32 devices
Certified according	EN 54-2 and EN 54-4



# ADDRESSABLE FIRE ALARM SYSTEMS

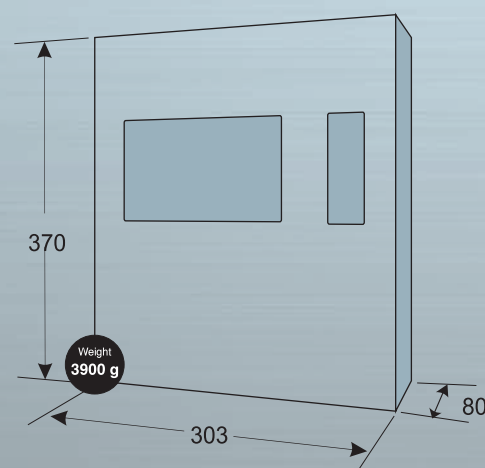
## FP 9000AR Repeater for ADDRESSABLE panels

FP9000AR is a 7" color TFT display repeater with touch screen for monitoring and control of FP9000A addressable fire control panels via RS485 interface. Ability to monitor and manage all panel events from a smart phone or computer, remotely, from anywhere in the world, via Internet connectivity. Real time clock, energy independent. Text message for each remote panel and devices. Switching on and disabling remote panels.



### Functional characteristics:

Monitoring and control of remote fire alarm panels	up to 16
Monitoring of fire zones	up to 128
Memory	10 000 events
Language versions	multilingual
1 monitored siren output	500 mA
Interface	RS 485 and LAN
Consumer power supply	(18-26) V / 2.0 A
Space for 2 12V batteries	(4.5 - 7) Ah
Ability to monitoring and address devices	up to 4000
Display with touch screen	color TFT 7"
Metal box	370x303x80
Color	white / anthracite



# ADDRESSABLE FIRE ALARM SYSTEMS



## D 9000A T A1R/A1S D 9000AI T A1R/A1S

ADDRESSABLE  
Rate of Rise / Fixed  
Heat Detector

With DMTech communication protocol

### Functional characteristics:

- Power supply from the control panel
- Consumption in Duty mode 510  $\mu$ A
- Consumption in Alarm mode 2 mA
- Capability indication - 16 sec.
- Compatible with base B 9000A with lock possibility
- Address programming through a PR9000A programmer or from the control panel.
- D 9000AI T A1R/A1S built-in isolator
- Class A1R/A1S (EN 54-5) for the heat part.
- Certified according EN 54-5



## D 9000A SR D 9000AI SR

ADDRESSABLE  
Optical Smoke  
Fire Detector

With DMTech communication protocol

### Functional characteristics:

- Power supply from the control panel
- Consumption in Duty mode 510  $\mu$ A
- Consumption in Alarm mode 2 mA
- Capability indication - 16 sec
- Compatible with base B 9000A with lock possibility
- Address programming through a PR9000A programmer or from the control panel
- D 9000AI SR built-in isolator
- Certified according EN 54-7



## D 9000A MSR D 9000AI MSR

ADDRESSABLE  
Combined Optical Smoke  
and Heat Fire Detector

With DMTech communication protocol

### Functional characteristics:

- Power supply from the control panel
- Consumption in Duty mode 510  $\mu$ A
- Consumption in Alarm mode 2 mA
- Capability indication - 16 sec.
- Compatible with base B 9000A with lock possibility
- Address programming through a PR9000A programmer or from the control panel
- D 9000AI MSR built-in isolator
- Class A1R (EN 54-5) for the heat part.
- Certified according EN 54-5 and EN 54-7



## S 9000A | S 9000A F

ADDRESSABLE  
Indoor Fire Alarm Siren

With DMTech communication protocol

### Functional characteristics:

- Sound level (90-94) dB
- Power supply from the control panel
- Consumption in Duty mode 470  $\mu$ A
- Consumption in Alarm mode 12 mA
- Address programming through a PR9000A programmer or from the control panel
- Built-in isolator
- Certified according EN 54-3 and EN 54-17



## D 9000A MCP

ADDRESSABLE  
Manual Call Point

With DMTech communication protocol

### Functional characteristics:

- Power supply from the control panel
- Consumption in Duty mode 470  $\mu$ A
- Consumption in Alarm mode 2 mA
- Recoverable flexible working element
- Protective transparent plastic cover
- Special key for recovery after an alarm event and test
- Address programming through a PR9000A programmer or from the control panel
- Built-in isolator
- Certified according to EN 54-11 type "A" and EN 54-17
- IP Degree of protection IP 40

# ADDRESSABLE FIRE ALARM SYSTEMS



## **B 9000A** Standard Base for ADDRESSABLE Fire Detectors Series D 90000A

Ability to lock the detector to the base.

### Functional characteristics:

- Connecting wires - 0.4-2.0 mm<sup>2</sup>
- Material (plastic) - ABS
- Compatible with D 9000A series detectors
- Key with ability to lock the detectors
- Pad for addressable label



## **M 9000A IO 1/1** **M 9000A IO 3/5** ADDRESSABLE Module with 1/3 Input and 1/5 Output

With DMTEch communication protocol

### Functional characteristics:

- 1/3 Input – controllable
- 1/5 Output - Relay (NC, COM, NO) - 5 - 30 VDC/1 A
- Power supply from the control panel
- Consumption in Duty mode 350 µA
- Consumption in Alarm mode 6 mA
- Address programming through a PR9000A programmer or from the control panel.
- Built-in isolator
- Certified according EN 54-18 и EN 54-17
- Plastic box suitable for wall mounting or DIN rail

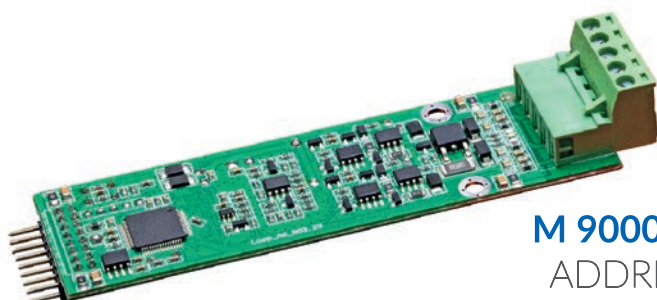


## **M 9000A ACZ** ADDRESSABLE Module for Conventional Line

Used to monitor and connect conventional fire detectors to an addressable panel

### Functional characteristics:

- Conventional zone up to 32 fire detectors
- End of line for conventional zone (EOL) – 4,7 k/0.5 W
- Power supply from the control panel
- Consumption in Duty mode 7 mA
- Consumption in Alarm mode 27 mA
- Address programming through a PR9000A programmer or from the control panel
- Built-in isolator
- Certified according EN 54-18 и EN 54-17
- Plastic box suitable for wall mounting or DIN rail



## **M 9000A LOOP** ADDRESSABLE Loop Expander Module

### Functional characteristics:

- M9000A LOOP is a loop expander for 1 loop in DmTech Addressable Fire Alarm Systems. The loop expander supports DMTEch communication protocol



## **PR9000A** ADDRESSABLE Programmer

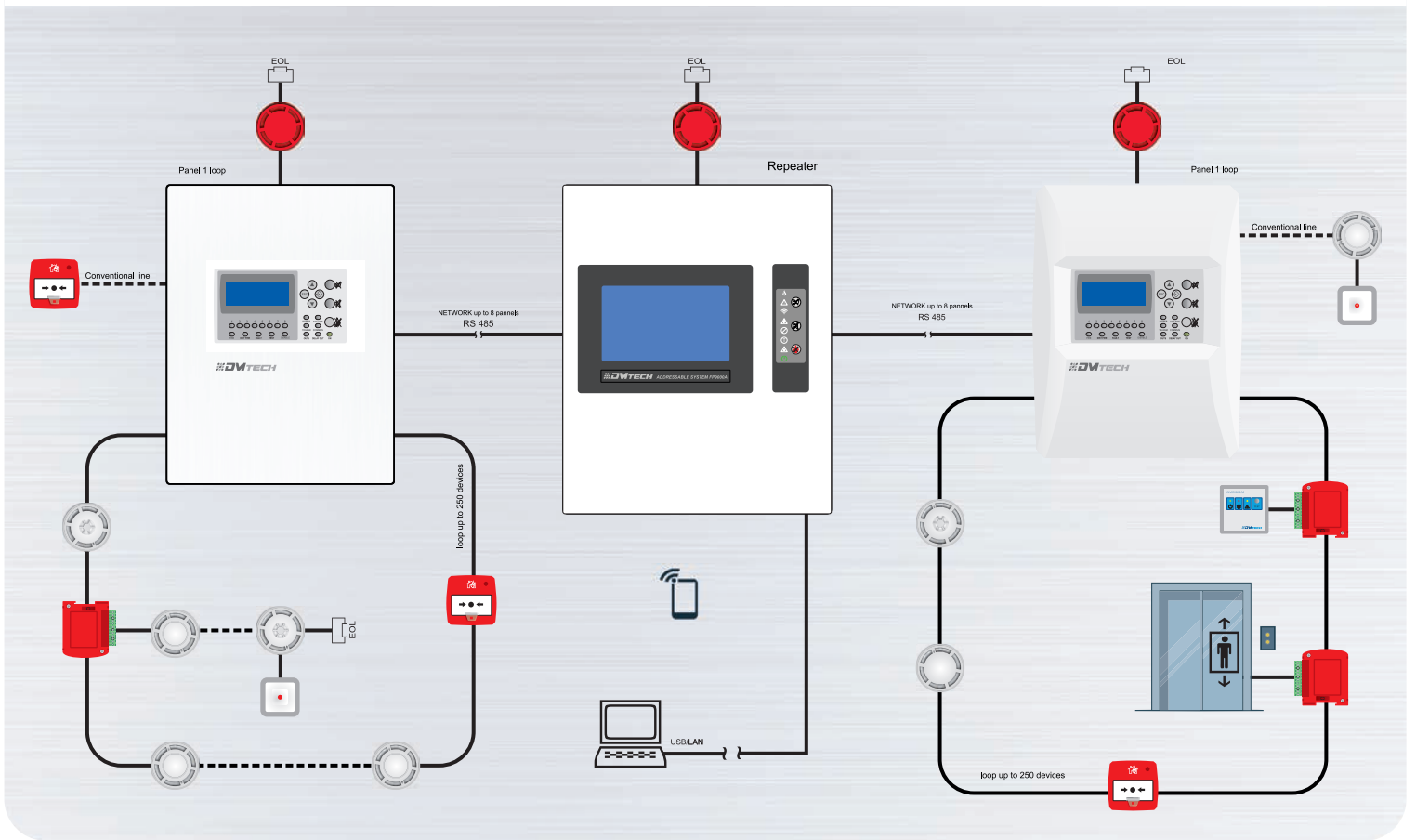
### Functional characteristics:

- The programmer writes and read address of addressable devices 9000A.
- Operating voltage: USB – (4.8÷5.2) VDC /micro USB/
- Backup power supply: Accumulator batteries NIMH 3x1.2 V, type AAA /Recharge Accu/
- Consumption: In standby 50 µA
- Range of set addresses 1 ÷250

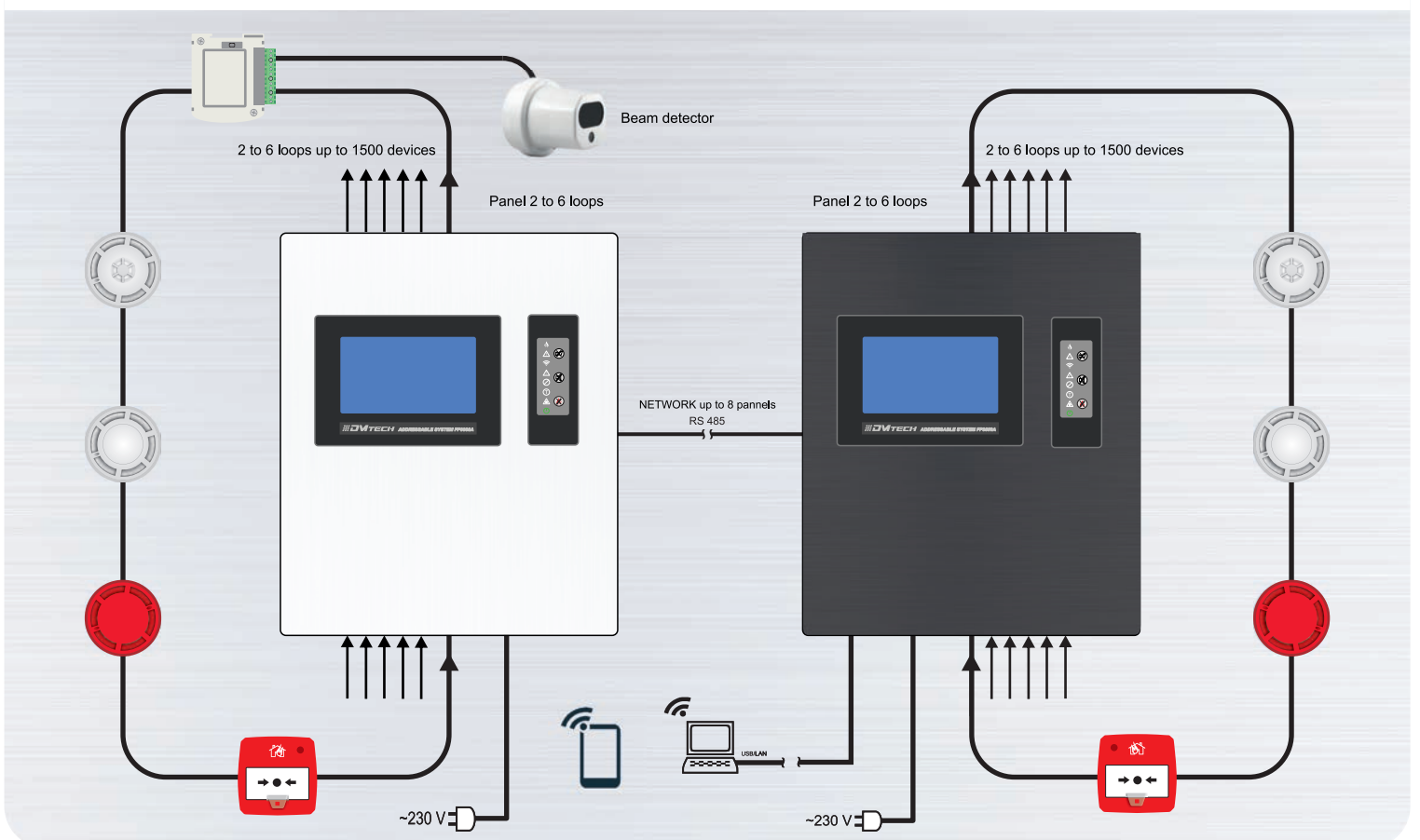


# ADDRESSABLE FIRE ALARM SYSTEMS

## Addressable Fire Alarm System



## Addressable Fire Alarm System - 2 to 6 loops



# CONVENTIONAL FIRE ALARM SYSTEMS

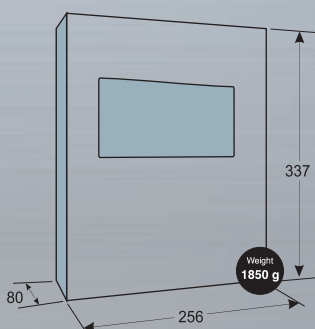
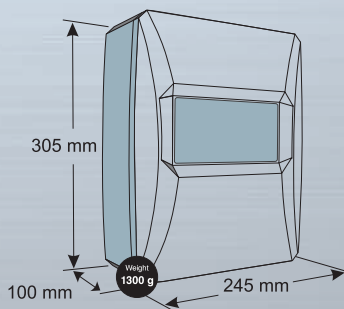
## FP 9000-4/8 CONVENTIONAL Fire Control Panel

FP 9000 - 4/8 are conventional fire alarm panels with 4 or 8 fixed zones with display and energy-independent real-time clock. Certified according EN54-2 and EN54-4.

Plastic box



Metal box



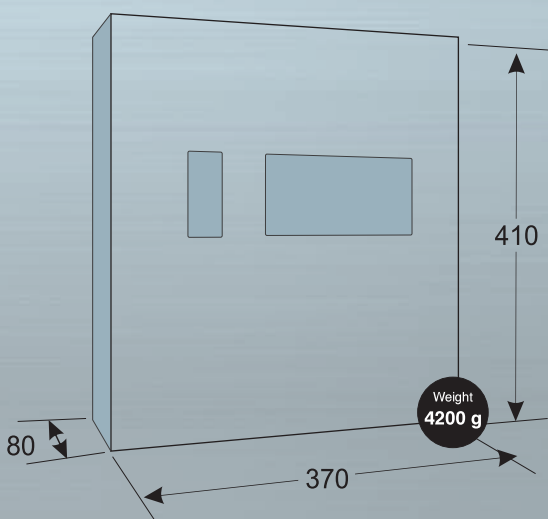
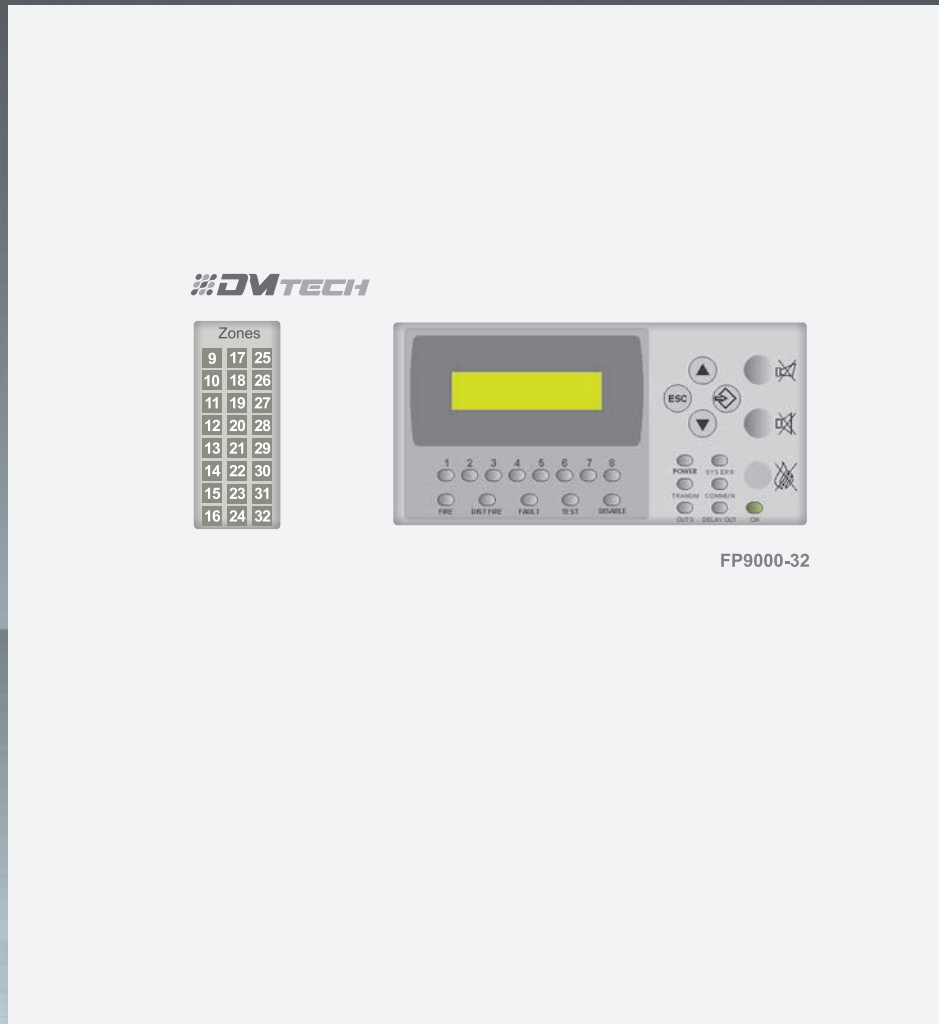
### Functional characteristics:

4 or 8 monitored zones with up to 32 automatic or manual fire detectors	
2 monitored siren outputs	500 mA
2 relay outputs - programmable	
2 relay outputs: 1 output "fire" and 1 output "fault"	
Archive	1600 events
Ext message for each zone	
Programming panel parameters	over 70
Functions against false alarms	
Output delay, seconds	from 0 to 900
Zone test and disabling	
LCD display 2x16 characters and LED zone indication	yes
Plastic or metal box	
Ability to add M 9000R-x relay module and control 2, 4, 6 or 8 relay outputs	
Consumer power supply	(18-26) V / 2,0 A
Space for 2 batteries	12V / (4.5 - 5) Ah
Interface output	RS 485
Networking with FP 9000R repeater	

# CONVENTIONAL FIRE ALARM SYSTEMS

## FP 9000-16/24/32 CONVENTIONAL Fire Control Panel

FP 9000 -16/24/32 are conventional fire alarm panels with 16, 24 or 32 fixed zones, certified according to standards EN54-2 and EN54-4.



### Functional characteristics:

Monitored areas with up to 32 automatic or manual fire detectors	16, 24 or 32
2 monitored siren outputs	500 mA
Relay outputs - programmable	8/12/16
2 relay outputs	1 output "fire"
1 output "fault"	yes
Archive	1600 events
Text message for each zone	yes
Programming panel parameters	over 70
Functions against false alarms	yes
Output delay seconds	from 0 to 900
Zone test and disabling	yes
LCD display 2x16 characters and LED zone indication	yes
Metal box	white
Consumer power supply	(18-26) V / 2,0 A
Space for 2 batteries	12 V / (7-18) Ah
Interface output	RS 485
Networking with FP 9000R repeater	

# CONVENTIONAL FIRE ALARM SYSTEMS

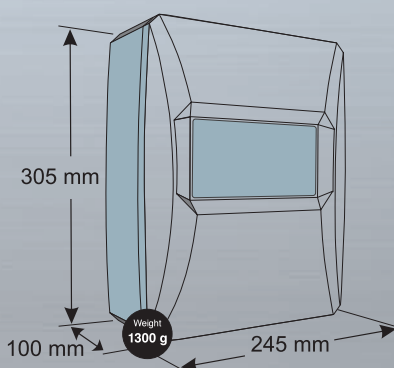
## FP 9000L-1/2/4/8 CONVENTIONAL Fire Control Panel

FP 9000L-1/2/4/8 are conventional fire alarm panels with 1, 2, 4 or 8 fixed zones, certified according EN54-2 and EN54-4. The panel is easy to install, maintain and operate on a daily basis. An effective solution for small objects.

Plastic box

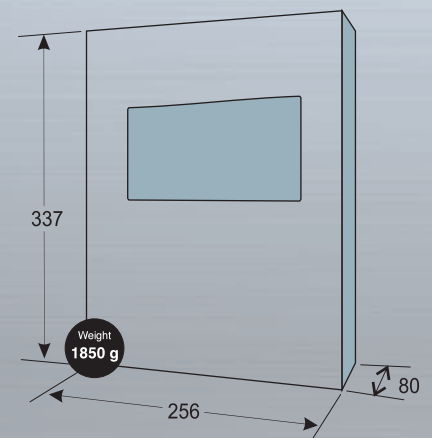


Metal box



### Functional characteristics:

- 1, 2, 4 or 8 monitored areas with up to 32 automatic or manual fire detectors
- 2 monitored siren outputs - 500 mA
- 2 relay outputs: 1 output "fire" and 1 output "fault"
- Function against false alarms
- Sirens delay from 0 to 7 minutes
- Zone test and disabling
- LED indication
- Plastic box
- Ability to add M 9000R-x relay module and control 2/4/6 or 8 relay outputs
- Setting all parameters via DMProgL software
- Consumer power supply 18-26 V / 1,0 A
- Space for 2 batteries 12 V / (1.3 - 5) Ah
- RS 485 interface output
- Networking with FP9000R repeater



# CONVENTIONAL FIRE ALARM SYSTEMS

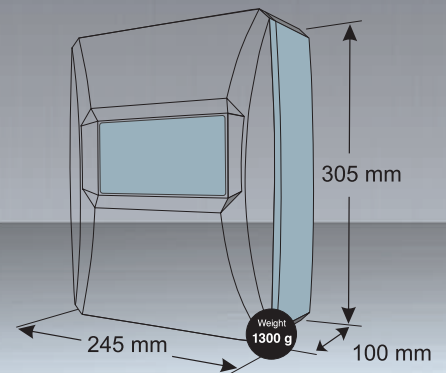
## FP 9000R CONVENTIONAL REPEATER

FP 9000R Remote control panel for monitoring and control of FP 9000 remote fire control panels up to 8 pieces.



### Functional characteristics:

- Up to 8 zones for monitoring and control of remote fire alarm panels
- LCD display 2x16 characters and LED zone indication
- Real time clock, energy independent
- Archive - 1600 events
- Text message for each remote panel
- 2 monitored siren outputs - 500 mA
- 2 relay outputs - programmable
- 2 relay outputs: 1 output "fire" and 1 output "fault"
- Output delay from 0 to 900 seconds
- Enabling and disabling of the panels
- Plastic box
- Built-in RS 485 interface
- Ability to add M 9000R-x relay module and control 2/4/6 or 8 relay outputs
- Consumer power supply (18-26) V / 2,0 A
- Space for 2 batteries 12V / (4.5-5) Ah



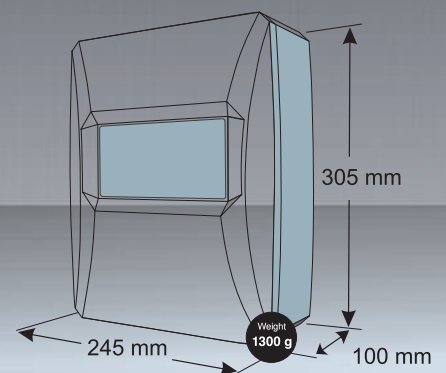
## FP 9000P Power Supply

FP 9000P is a power supply unit for fire protection automation according to the requirements of (EN 54-4) for address and conventional systems.



### Functional characteristics:

- Output voltage (18-26) V
- Output continuous current 2.0 A
- Peak current - 3.5A for 15 min.
- Reserved battery power
- LED indication (EN 54-4)
- Fault Relay (NC, COM, NO) - 5-30 VDC / 1 A
- Plastic box
- Space for 2 batteries 12V / (4.5-5) Ah



# CONVENTIONAL FIRE ALARM SYSTEM



**D 9000 SR**  
OPTICAL  
SMOKE  
FIRE DETECTOR

**Functional characteristics:**

- Power supply (9-30) V
- Standby power consumption 80  $\mu$ A
- Consumption in alarm mode 20 mA / 24 V
- LED indication 360°
- Flashing for performance -16 sec.
- Self-compensation for contamination
- Indication of contaminated camera
- Ability for lock to the base
- EN Certified EN 54-7



**D 9000 T A1R**  
**D 9000 T A1S**  
RATE OF RISE/FIXED  
TEMPERATURE  
HEAT DETECTOR

**Functional characteristics:**

- Power supply (9-30) V
- Consumption in standby mode 50  $\mu$ A
- Consumption in alarm mode 20 mA / 24 V
- LED indication 360°
- Flashing for performance -16 sec.
- Ability for lock to the base
- A1 Class A1R/A1S (EN 54-5)
- EN Certified EN 54-5



**D 9000 MSR**  
COMBINED  
OPTICAL  
SMOKE AND HEAT  
DETECTOR

**Functional characteristics:**

- Power supply (9-30) V
- Consumption in standby mode 80  $\mu$ A
- Consumption in alarm mode 20 mA / 24 V
- LED indication 360°
- Flashing for performance -16 sec.
- Ability for lock to the base
- A1 Class A1S (EN 54-5)
- EN Certified EN 54-5 and EN 54-7



**S 9000**  
INDOOR SIREN  
with base

**Functional characteristics:**

- Power supply (9-30) V
- 65 mA power consumption
- Sound level 96 dB / 24 V
- Complete with red base B 9000 with lock
- Flash-light indication
- Certified EN 54-3



**D 9000 MCP**  
MANUAL  
CALL POINT

**Functional characteristics:**

- Power supply (9-30) V
- Switch 0.5 k / 2 W, (1 k/1 W)
- A recoverable, flexible work item
- Status LED
- Special key to recover from an alarm event and test
- Protective transparent plastic cover
- Possibility of sealing
- Certified according to EN 54-11 type A
- Degree of protection IP 40

# CONVENTIONAL FIRE ALARM SYSTEM



**D 9000 FLAME**  
OPTICAL FLAME  
FIRE DETECTOR

**Functional characteristics:**

- Power supply (9-30) V
- Current consumption in Duty Mode: 300  $\mu$ A
- Current consumption in Fire condition 20 mA/ 30V DC
- Sensitivity: in accordance with EN54-10, class 2 (IR)
- Time delay: T-8s
- Type of the line connection: two-wire
- Degree of protection: IP 40



**GAS9000-LM**  
GAS DETECTOR  
LPG, methane /CH<sub>4</sub>/

**Functional characteristics:**

- detected gas: LPG, methane /CH<sub>4</sub>/
- relay output: SPDT, 230V/2A
- working voltage: (12-30) V DC
- sound signalisation: differential > 85 dB
- LED indication
- working temperatura: -10 ÷ +50°C
- humidity: 30 ÷ 90% RH
- sizes: 80 x 80 x 40 mm
- weight: 0.120 kg
- certification: CE



**B 9000 /  
B 9000D\***  
STANDARD BASE  
WITH KEY FOR LOCK

- Connecting wires - 0.4-2.0 mm<sup>2</sup>
- Material (plastic) - ABS
- Compatible with D 9000 series detectors
- Key with ability to lock the detectors

\* Standard base with Schottky diode



**B 9000R**  
BASE WITH  
RELAY OUTPUT

- Power supply (9-15) V
- Relay (NC, COM, NO)
- Connecting wires - 0.4-2.0 mm<sup>2</sup>
- For use in security alarm systems
- Compatible with D 9000 series detectors
- Key with ability to lock the detectors



**B 9000S**  
BASE WITH  
SOUND  
ANNOUNCER  
MOUNTED

- Power supply (9-30) V
- Sound level 75 dB
- Compatible with D 9000 series detectors
- Connecting wires - 0.4-2.0 mm<sup>2</sup>
- Key with ability to lock the detectors
- Works with standard power supply as well as with installation of Fire Alarm
- Used in bedrooms for a higher alert level in an emergency

# CONVENTIONAL FIRE ALARM SYSTEM

## ACCESSORIES



**B9000F-W/R**  
MOUNTING KIT  
- "DEEP BASE"



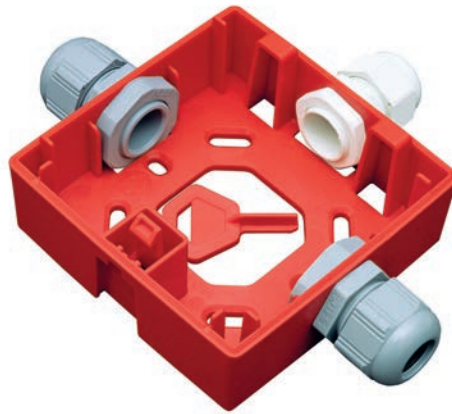
B9000F - W is outdoor mounting kit - "Deep base" compatible with the entire range of addressable and conventional fire detectors D9000 / D9000A and sirens S9000 / S9000A. The deep base allows the installation of devices on uneven surfaces, external piping, suspended ceilings and more.

**Functional characteristics:**

- Size: Ø 98mm / h 35mm
- Colors: white/red



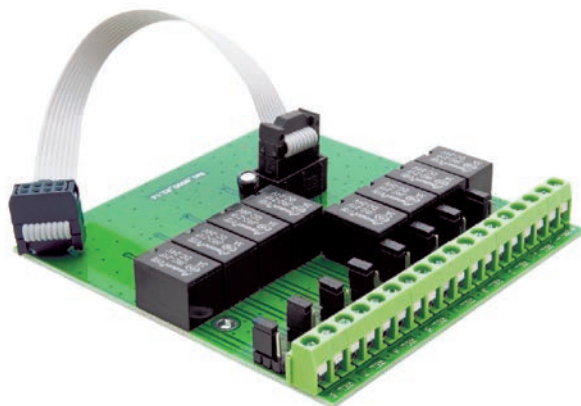
**Base**  
for low surface  
mounting of MCP



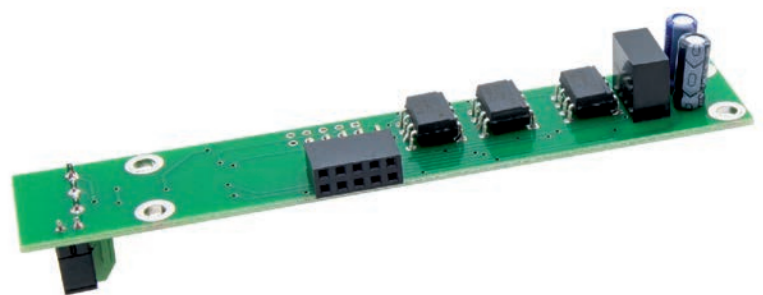
**High base**  
for mounting pipes  
and fittings



**RI 9000**  
REMOTE LED INDICATOR  
with limiting resistor  
560 Ω/0,5 W



**M 9000R-2/4/6/8**  
RELAY MODULE 2/4/6/8-RELAY.  
Expansion output module for FP 9000-4/8  
and FP 9000L control panels



**M 9000-485**  
RS 485 INTERFACE MODULE, GALVANICALLY SEPARATED.  
Used on FP 9000 panels to communicate on a network with an  
FP 9000R repeater or a PC connection



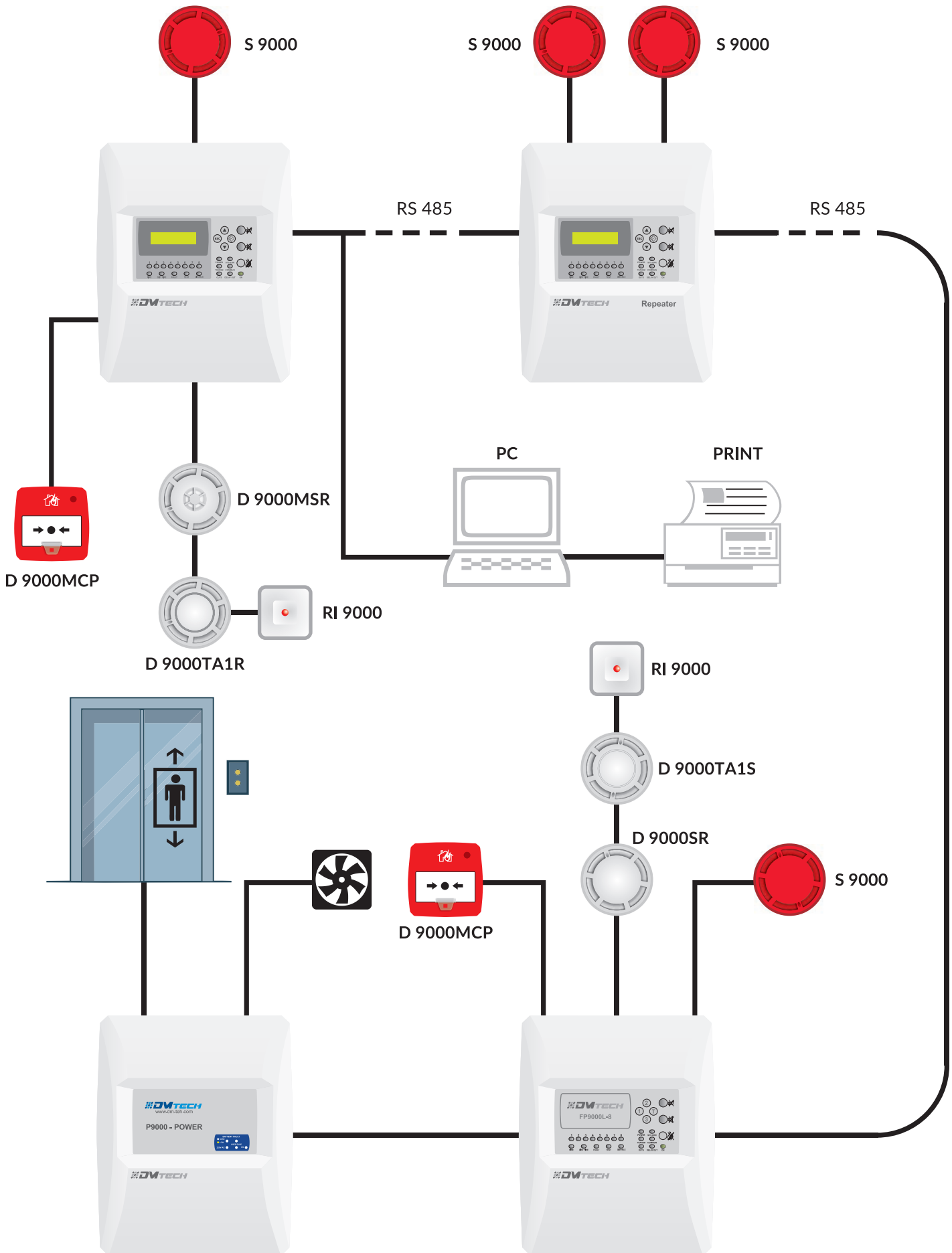
**M 9000-USB**  
USB TO RS485 ADAPTER  
FOR PC FOR COMMUNICATION  
WITH FP9000 CONTROL PANELS



**M 9000-12V**  
12 V / 250 MA POWER MODULE FOR POWERING 12 V  
DATA TRANSMITTERS: GSM COMMUNICATORS, DIALERS  
AND MORE FOR FP9000 PANELS



# CONVENTIONAL FIRE ALARM SYSTEM



# FIRE EXTINGUISHING SYSTEM

## FP 9000E Fire Extinguishing Control Panel

Fire extinguishing control panel. The panel is intended for use in gas, dust, aerosol, water and other active extinguishing systems. Certified according to EN 12094-1, EN 54-2 and EN 54-4

### Functional characteristics:

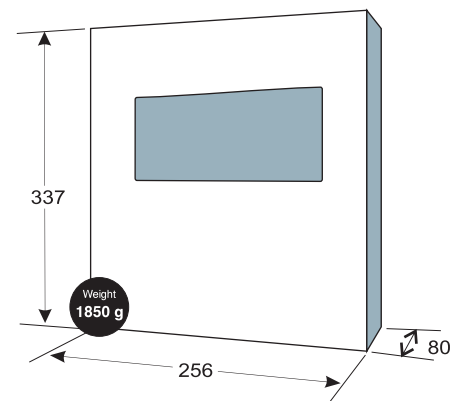
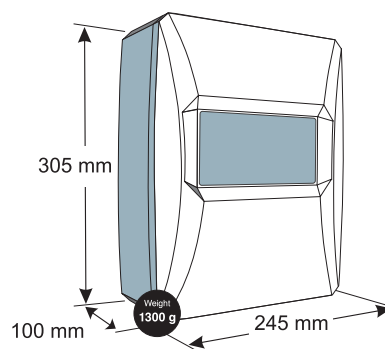
- LCD display 2x16 characters and LED indication
- Real-time clock, non-volatile.
- Archive - 1600 events
- Programming and setting parameters from the built-in keyboard and display menus.
- Plastic white box or metal red box
- Space for 2 batteries 12 V / (4.5-5) Ah
- Built-in switch Manual mode / Automatic mode / Prohibition.

### Inputs:

- 2 conventional fire extinguishing zones
- 1 conventional fire alarm zones
- Low Pressure input - controllable balanced input
- Manual release input - controllable balanced input
- Mode select input - controllable balanced input for switching between automatic and manual mode
- Hold input - controllable balanced input
- Enable / Disable - controllable balanced input
- Flow Control - Controlled balanced input

### Outputs:

- Out 1 (Siren 1 Level) - Controllable, 24 VDC, 500 mA
- Out 2 (Level 2 siren) - Controllable, 24 VDC, 500 mA
- Relay 1 Alarm Fire Level 5-30 VDC / 1 A
- Relay 2 Fire Alarm Level 5-30 VDC / 1 A
- Fault Relay (NC, COM, NO), 5-30 VDC / 1 A
- EXTING (Fire Extinguishing, EN 12094-1) - Controllable, 24 VDC / 1 A - 5 min, 24 VDC / 3A - 20 ms
- OC1 - Hold Activation Event
- OC2 - Disabled mode selected
- OC3 - Low Pressure Event
- OC4 - Manual mode selected



## D 9000 MCP-Y

**MANUAL RELEASE BUTTON**  
for extinguishing in Fire

*Works in conjunction with fire extinguishing panels*

### Functional characteristics:

- Power supply (9-30) V
- Switching 1.5 k / 0.5 W
- A recoverable, flexible work item
- Special key for event and test recovery
- Protective transparent plastic cover
- Possibility of sealing



## D 9000 MCP-B

**EMERGENCY STOP BUTTON**  
for hold the extinguishing process extending the evacuation time

*Works in conjunction with fire extinguishing panels*

### Functional characteristics:

- Power supply (9-30) V
- Switching 1.5 k / 0.5 W
- A recoverable, flexible work item
- Special key for event and test recovery
- Protective transparent plastic cover
- Possibility of sealing



## D 9000 MCP-G

**MANUAL EXTENSION RELEASE BUTTON**

for automatic activation, which enables the extinguishing to be started using an additional extinguishing source

### Functional characteristics:

- Power supply (9-30) V
- Switching 1.5 k / 0.5 W
- A recoverable, flexible work item
- Special key for event and test recovery
- Protective transparent plastic cover
- Possibility of sealing



## D 9000 EXT

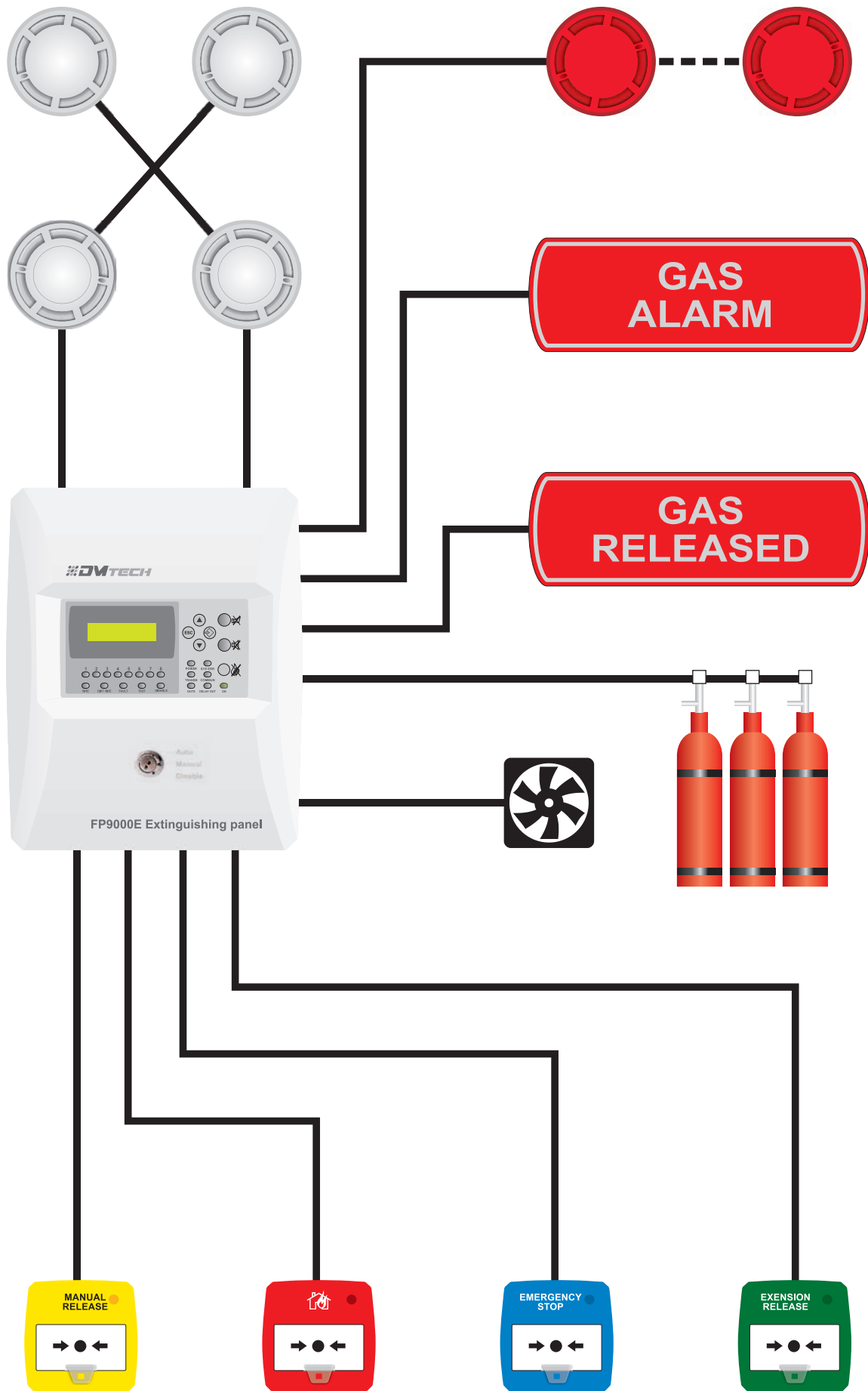
**MICROPROCESSOR MODULE**  
with 4 relay outputs for aerosol extinguishing

### Functional characteristics:

It is mounted to the fire extinguishing panel FP 9000E and serves for the control of AEROSOL EXTINGUISHING with 4 controllable relay outputs, which are switched on in series. This allows all actuators of the aerosol device to have the required full energy at the time of switching on.



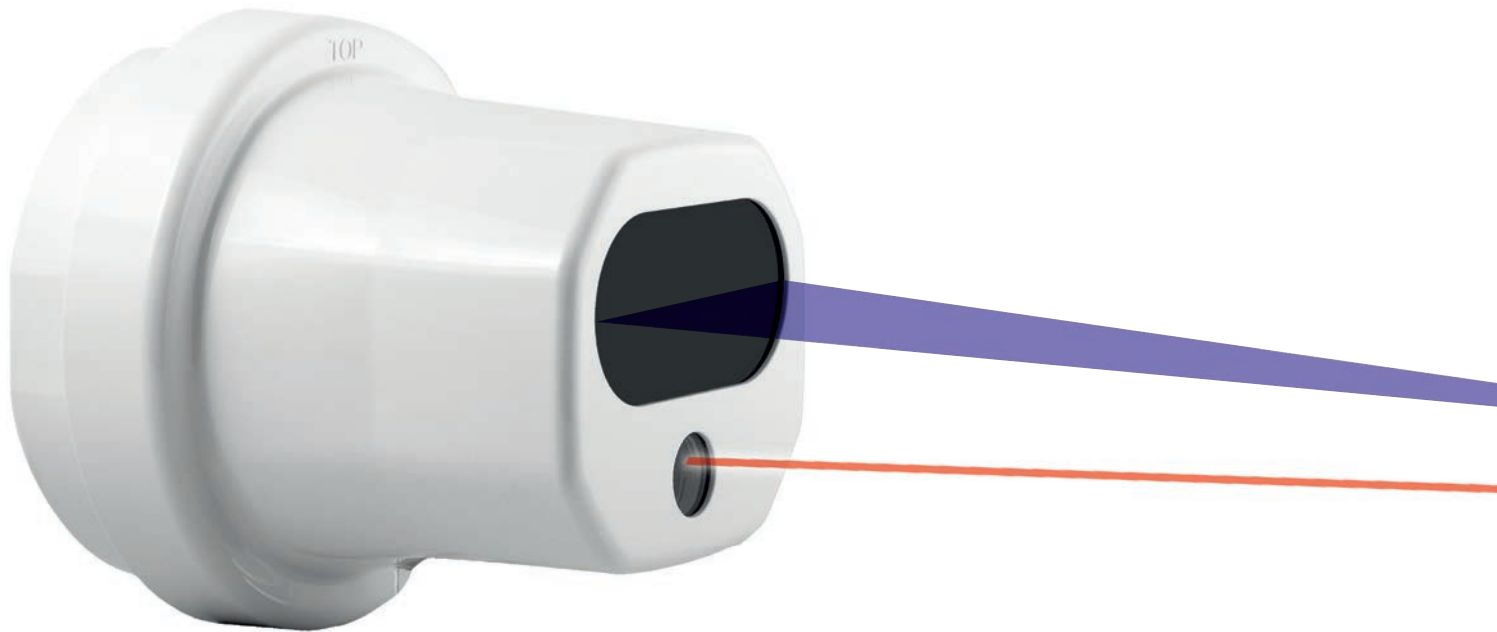
# FIRE EXTINGUISHING SYSTEM



# OPTICAL BEAM SMOKE DETECTOR

## D9000 BEAM

Automatic compensation of the signal level in case of change in the geometry of the building structure at the fastening elements of the detector due to temperature and mechanical influences. Detection with blue and / or infrared spectrum of the beam. Possibility to place a remote control for indication and manual control via RS485 interface.



### Functional characteristics:

Operating voltage	17-30 V
Standby current	20 mA
Electrical installation	4 wires
Relay for fire condition	1
Fault status relay	1
Working distance with 1 reflector	from 8 to 45 m
Working distance with quadruple reflector	45 to 120 m
Ajustment	Automatic / manual
Laser sight	Optional

 **DMTECH**

*New ideas for Security*

