

## "DMTech" Ltd. Pleven

### Product passport

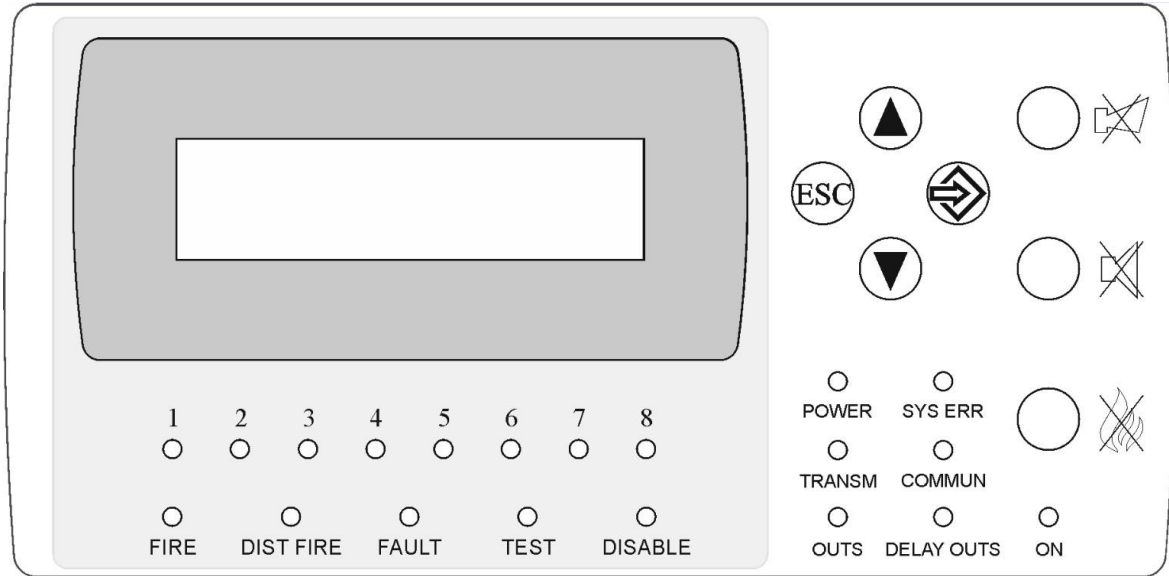
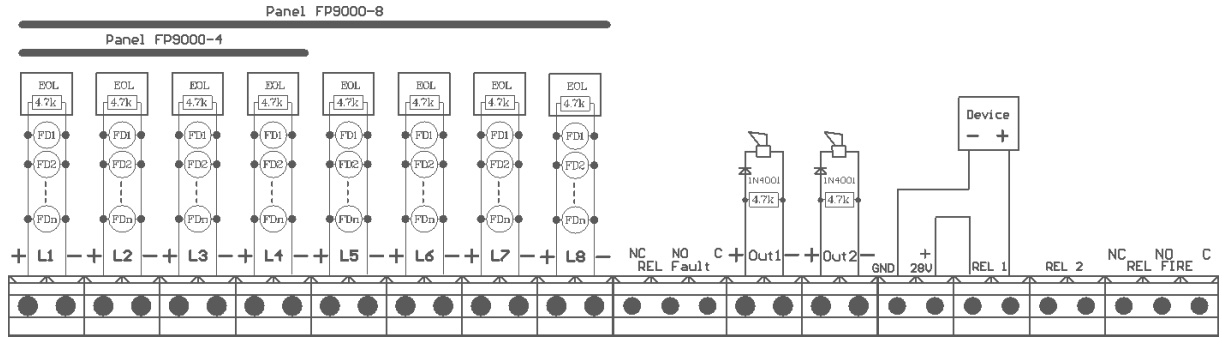
**FIRE CONVENTIONAL PANEL FP9000-4, FP9000-8**



**Technical parameters**

**Product passport**

**Rev 4:24**



### TECHNICAL PARAMETERS

<u>LINES</u>		
<b>➤ Lines:</b>		
• Number of lines	<b>4 or 8</b>	<b>Optional</b>
• Maximum number of fire detectors in a line	<b>32</b>	
• Type of the joining line	<b>biconductional</b>	
• Plume maximum resistance	<b>100 Ω</b>	
<b>➤ Current thresholds in the lines:</b>		
• Interruption	<b>from 1 to 12 mA</b>	<b>programmable</b>
• Duty mode	<b>from 2 to 60 mA</b>	<b>programmable</b>
• Fire	<b>from 12 to 70 mA</b>	<b>programmable</b>
• Fire direct /without delay outputs/	<b>from 40 to 60 mA</b>	<b>programmable</b>
• Short circuit	<b>&gt; 70 mA</b>	
<b>➤ Lines functional characteristics:</b>		
• Verification quantity before entering Fire mode:	<b>1, 2 or 3</b>	<b>programmable</b>
• Verification and regestrating error if a fire alarm detector is removed:	<b>yes</b>	<b>selectively programmable</b>
• Verification and regestrating fault in a earth conductor	<b>yes</b>	<b>selectively programmable</b>

<b><u>OUTPUTS</u></b>		
<b>➤ Independent relay output in case of fire alarm:</b>		
• Quantity	1	
• Type	switching	<b>NC / NO</b>
• Electrical characteristics	3A/125V AC, 3A/30V DC	
<b>➤ Controllable output in case of fire alarm:</b>		
• Quantity	2	<b>programmable</b>
• Type	potential relay	
• Electrical characteristics	(19-28)VDC/ 0,5A	
<b>➤ Relay output in case of fire alarm:</b>		
• Quantity	2	<b>programmable</b>
• Type	potential-free	<b>NO</b>
• Electrical characteristics	3A/125V AC, 3A/30V DC	
<b>➤ Additional relay outputs (module M9000R 2/4/6/8) in case of fire alarm:</b>		
• Quantity	2/4/6/8	<b>programmable</b>
• Type	potential-free	<b>NO</b>
• Electrical characteristics	3A/125V AC, 3A/30V DC	
<b>➤ Independent relay output in case of failure:</b>		
• Quantity	1	
• Type	potential-free, switching	<b>NC / NO</b>
• Electrical characteristics	3A/125V AC, 3A/30V DC	
<b>POWER SUPPLY</b>		
<b>➤ Mains power</b>		
• Voltage	<b>(187-252)V AC</b>	
• Frequency	<b>50/60 Hz</b>	
• Maximum power to mains power	<b>65W / AC</b>	
<b>➤ Battery power</b>		
• Battery quantity	2	
• Type of the battery	<b>Lead, gel</b>	
• Battery rated voltage	<b>12V DC</b>	
• Rated power C20	<b>5 Ah</b>	
• Charger voltage	<b>27,6 VDC</b>	<b>temperature compensated</b>
<b>Consumption of battery power in standby mode</b>		
• Configuration with 4 lines	<b>&lt; 55 mA to 24 V DC</b>	
• Configuration with 8 lines	<b>&lt; 75 mA to 24 V DC</b>	
<b>Time needed in security mode when mains power supply is down with battery 12V/ 5Ah</b>		
• Configuration with 4 lines	<b>90h</b>	
• Configuration with 8 lines	<b>72h</b>	

<b>Executive devices powering</b>		
• Voltage	<b>(19-28)V DC</b>	
• Maximal current (including the controllable outputs current)	<b>2A</b>	
<b>Fuses</b>		
• Mains power 230V AC	<b>4,0 A fusible</b>	
• Battery power	<b>6,3 A fusible</b>	
• Powering external devices	<b>1,85 A automatic</b>	
• Controllable outputs	<b>1,1 A automatic</b>	
<b>Functional characteristics</b>		
• Control of the lines and controllable outputs for fault conditions (short circuit and interruption) and automatic reset;		
• Control of the lines for down fire detector and automatic reset;		
• Light and textual indication for Fire, Fault, Prohibition and Test mode;		
• Ability to delay controllable and general outputs for fire for a period of 10 to 600 seconds after the registration of state Fire;		
• Built-in sounder in case of fire – monotonal, continuous with the possibility of exclusion;		
• Test mode of each (fire alarm) lines;		
• Ability to Disable each of the fire alarm lines;		
• Ability to Disable controllable outputs for fire;		
• Interface for communication with external devices RS485 and networking / optional /;		
• Possibility for GPRS/LAN communication and remote control and monitoring / optional /;		
• LCD display, 2×16 characters and keyboard, for control and panel indication;		
• Energy independent archive of the events, recorded by the panel, consisting of type, date and time of the event - to 1200 events;		
• Fire counter - up to 9999 registered fire conditions;		
• Choice of language for text information display;		
• A set of test modes and options for adjustment of lines, outputs and panel.		
➤ <b>Over all size</b>		<b>310x240x80 mm</b>
➤ <b>Weight without batteries</b>		<b>1,3 kg</b>
➤ <b>Safety degree</b>		<b>IP30/ EN 60529</b>
<b>The panel meets standards:</b>		
• EN 54-2:1997		
• EN 54-2:1997/A1:2006		
• EN 54-2:1997/AC:1999		
• EN 54-4:1997		
• EN 54-4:1997/A1:2002		
• EN 54-4:1997/A2:2006		
• EN 54-4:1997AC:1999		
• EN 50130-4:2011		
• EN 55022:2006/A1:2007		
• EN 60950-1:2006/A11:2009		

## FACTORY SETTING OF THE BASIC PARAMETERS

<b>INPUT LINES</b>		
<b>➤ Lines:</b>		
• Quantity	<b>4 or 8</b>	
<b>➤ Current thresholds in the lines:</b>		
• Interruption	<b>from 4 mA</b>	
• Duty mode	<b>from 5 to 16 mA</b>	
• Fire	<b>from 17 to 60 mA</b>	
• Fire direct /without delay outputs/	<b>from 30 to 60 mA</b>	
• Short circuit	<b>&gt; 70 mA</b>	
<b>➤ Lines' functional characteristics:</b>		
• Verification quantity before entering (in) fire state:	<b>2</b>	<b>programmable</b>
• Verification and regestrating error if a fire alarm is removed:	<b>Off</b>	<b>selectively programmable</b>
• Verification and regestrating fault in a earth conductor	<b>On</b>	<b>selectively programmable</b>
<b>OUTPUTS</b>		
<b>➤ Independent relay output in case of fire alarm:</b>		
• Quantity	<b>1</b>	<b>EN 54-2, independent</b>
<b>➤ Programmable controllable output in case of fire alarm:</b>		
• Quantity	<b>2</b>	<b>Not connected to zones</b>
<b>➤ Programmable relay output when fire alarm:</b>		
• Quantity	<b>2</b>	<b>Not connected to zones</b>
<b>➤ Independent realy output during failure:</b>		
• Quantity	<b>1</b>	<b>EN 54-2, independent</b>
<b>Functional characteristics</b>		
• Controllable and general outputs delay in case of fire. (The delay is valid only when outputs are connected to zones )	<b>60 seconds</b>	

### DELIVEERY COMPOSITION AND COMPLEXITY/SET

• Fire Station FP 9000	<b>1 qty.</b>
• EOL - resistor 4,7kΩ/0,25W:	
- for configuration with 4 lines /FP9000-4/	<b>4 qty.</b>
- for configuration with 8 lines /FP9000-8/	<b>8 qty.</b>
• (EOL)End for controllable output - resistor 4,7kΩ/0,25W;	<b>2 qty.</b>
• Fuse 6,3A;	<b>1 qty.</b>
• Fuse 4,0A;	<b>1 qty.</b>
• Connective bridge for batteries;	<b>1 qty.</b>
• Packaging.	<b>1 qty.</b>

1922 – CPR - 1800



22

*DMTech wishes you pleasant work!*